



# Product Manual

# ThriiTap+ Hand Wash Dryer

ThriiTap+ Deck Mounted Original Instructions

[wallgate.com](http://wallgate.com)

**Wallgate**<sup>®</sup>  
ROBUST. INNOVATIVE. WASHROOMS



## Safety Information

### WARNINGS!

The appliance must be earthed.

The means for disconnection from the mains supply must be incorporated in the fixed wiring in accordance with the wiring rules.

If the supply cord is damaged, it must be replaced by the manufacturer, its service agent or similarly qualified persons in order to avoid a hazard.

The appliance must not be installed in locations where freezing can occur.

We recommend that adequate frost protection is provided in the building to ensure freezing does not occur.

The resistivity of the water supply must not be less than  $1300\Omega\text{cm}$ .

Minimum water pressure: 100kPa.

Maximum water pressure: 1000kPa.

This appliance can be used by children aged from 8 years and above and persons with reduced physical, sensory or mental capabilities or lack of experience and knowledge, if they have been given supervision or instruction concerning use of the appliance in a safe way and understand the hazards involved.

Children shall not play with the appliance.

Cleaning and user maintenance shall not be made by children without supervision.

## Table of Contents

Safety Information .....	3
1. Disclaimer & Copyright Notice .....	5
2. Conventions .....	6
2.1. Warning .....	6
2.2. Note .....	6
2.3. Numbered procedures .....	6
2.4. Bullet lists .....	6
2.5. Menu items .....	6
3. Glossary .....	7
4. Technical Specification .....	8
5. Overview .....	9
6. Package Contents .....	11
7. Installing the Support Frame, Water, Waste and Electrical Connections .....	12
7.1. Pre-installation Guidelines .....	12
7.1.1. Deck Mounted Tap Head .....	13
7.2. Mounting Guidelines .....	15
7.2.1. Control Module Mounting Guidelines .....	15
7.2.2. Soap Hook Mounting Guidelines .....	17
7.2.3. Tap Head Mounting Guidelines .....	18
7.2.3.1. Deck Mounted Tap Head .....	18
7.3. Connecting the Control Module to the Tap head .....	20
7.4. Mains Water Connection to Control Module .....	24
7.5. Commissioning for use .....	24
8. Programmed Settings .....	27
8.1. Operation .....	29
8.1.1. Soap Operation .....	29
8.1.2. Dryer Operation .....	30
8.1.3. Air Heater Operation .....	30
8.1.4. Hygiene Purge .....	30
8.2. Advanced Adjustment .....	31
8.2.1. Hygiene Purge Adjustment .....	32
9. Care, Routine Maintenance, Service and Repair .....	33
9.1. Care and Cleaning .....	33
9.2. Routine Maintenance .....	34
9.3. Service and Repair .....	35
9.4. Spare Parts .....	35

## 1. Disclaimer & Copyright Notice

Every effort has been made to supply the information within this manual which is correct. Wallgate Limited will not be liable for any damage or loss that arises if the person installing, operating, or maintaining the unit has not read or not complied with the manual.

In any event, and without prejudice to any warranties in Wallgate Limited's terms and conditions of sale, Wallgate Limited's liability for all damages and losses (including negligence) shall not in any circumstances exceed the amount paid by the customer for the unit.

Wallgate reserves the right to alter, update or improve its product specification at any time without prior notice. This manual is specific to the product that it has been supplied with at the date of supply.

Without prejudice to any warranties in Wallgate Limited's terms and conditions of sale, any warranty will be invalidated if the equipment is installed or serviced by unqualified personnel.

No part of this publication and the information contained may be reproduced, transmitted, stored in a retrieval system, used or disclosed wholly or partly without prior written permission from Wallgate Limited.

For full warranty details please see Wallgate Limited Terms and Conditions.

Please ensure this manual is passed to the end-user. The manual forms an integral part of the product and should be kept for its working life. Additional copies of this and other supporting documents are available by contacting Wallgate Ltd or by visiting [www.wallgate.com](http://www.wallgate.com)

## 2. Conventions

Certain conventions are used in this manual to make it easier to read and understand. It is recommended that you read and understand these warnings before you install and commission the Wallgate ThriiTap+.

### 2.1. Warning

A warning with white text on a red background is used to give information about hazards that can cause injury or death. Read and understand these warnings before you install and commission the ThriiTap+. Failure to heed these warnings can have serious consequences.

**WARNING!** This is a warning!

### 2.2. Note

A note with black text on a yellow background is used to draw your attention to important and useful information.

**NOTE:** This is a note.

### 2.3. Numbered procedures

Steps in procedures are numbered, starting from 1.

1. This is step 1.
2. This is step 2 etc.
- 2.4 Bullet lists

### 2.4. Bullet lists

- A bullet list is used to give information that is not sequential.

### 2.5. Menu items

Menu items, submenu items and settings, where available, are given in bold.

### 3. Glossary

The glossary lists all words, abbreviations and technical terminology used in this manual, along with a short description of these terms.

Term	Description
ThriiTap+®	Hand Wash Unit
Tap head	The tap head refers to the user interface assembly of the product including Air, water and soap outlet nozzles, and the sensor
Control Module	The control module refers to the complete soap, water, dryer module mounted remotely from the tap head
IR Sensor	The infrared (IR) sensor transmits an invisible beam into the washbowl area so that when interrupted by a person's hand the beam is rebounded back to the receiver sensor. This creates an electrical signal which rapidly activates the hand wash cycle.
BSP	The British Standard Pipe (BSP) thread is a family of standard screw thread types that has been adopted internationally for interconnecting and sealing pipe ends by mating an external (male) with an internal (female) thread. <sup>1</sup>
Power up	The external electricity supply is provided to the ThriiTap+.

ThriiTap+® is a registered trademark of Wallgate Limited.

---

<sup>1</sup> Description sourced from Wikipedia at [http://en.wikipedia.org/wiki/British\\_standard\\_pipe\\_thread](http://en.wikipedia.org/wiki/British_standard_pipe_thread)

## 4. Technical Specification

<b>Weight</b>	<b>Item</b> Tap Head Control Module Full soap container Total	<b>Weight</b> 2.0 kg 8.2 kg 2.6 kg 12.8kg
<b>Tap Head Dimensions</b>	Width Height Length	60mm 178mm 200mm
<b>Control Module Dimensions</b>	Width Height Depth	344 mm 252 mm 160 mm
<b>Water Supply</b>	Minimum pressure Maximum rating Inlet connection size	Dynamic 1 Bar / 100 kPa 10 Bar / 1000 kPa 1/2" BSP Male
<b>Electrical Power requirement</b>	220–240V 50/60Hz, single phase, 1100W. UK plug socket.	
<b>Enclosure IP Rating</b>	IPX4	
<b>Regulatory compliance</b>	Complies with: RoHS LVD 2014/35/EU & EMC 2014/30/EU directives.	
<b>Flow rate</b>	Regulated to 1.9lpm (alternative 3.75lpm regulator supplied within box)	



## 5. Overview

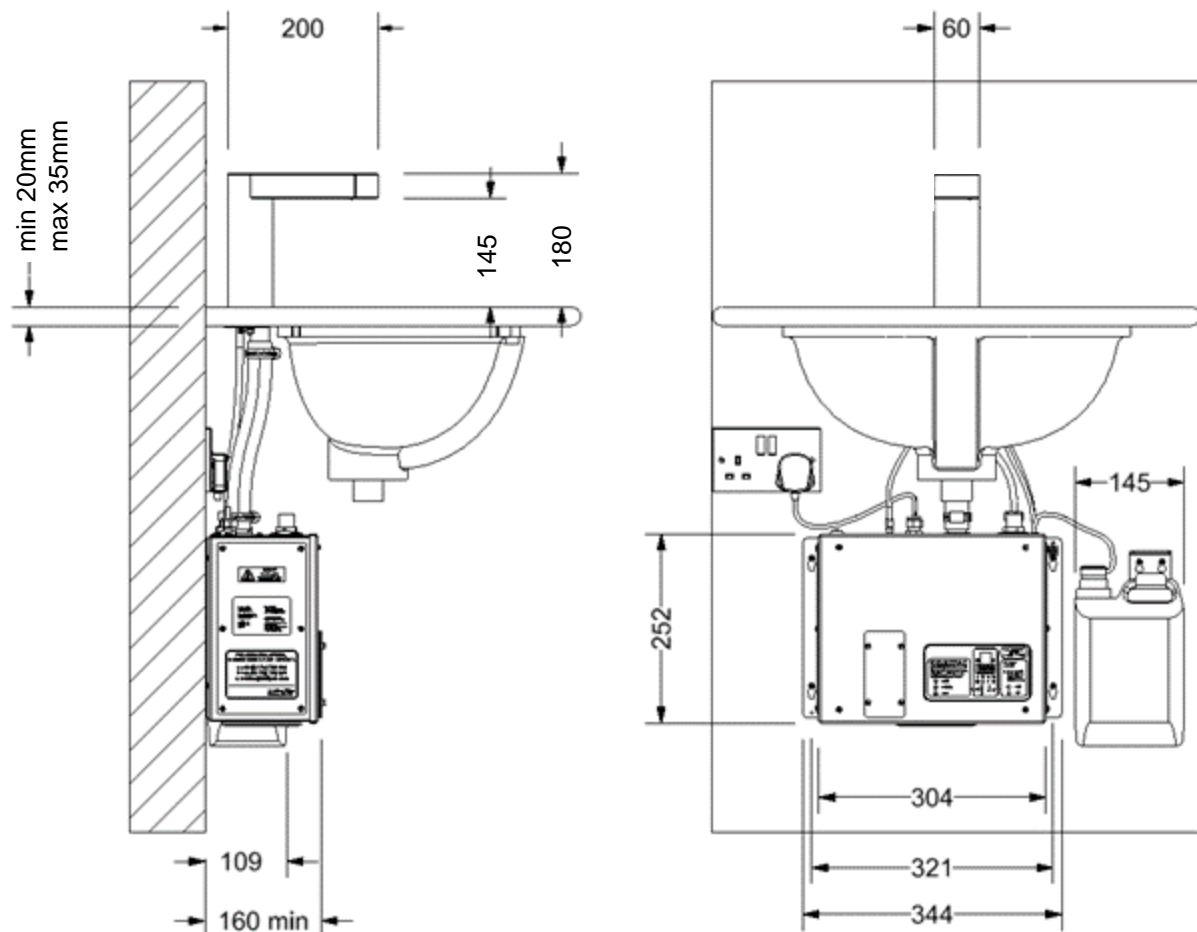
The Wallgate ThriiTap+ is an integrated hand wash dryer unit with automatic infra-red sensor operation.

There are two model options that are otherwise identical except for the Tap head mounting method. It is available as a wall mounted configuration to be installed with the Control Module installed in a service duct on the other side of a wall, and as a deck mounted version to be installed with the Control Module mounted below a basin or vanity top.

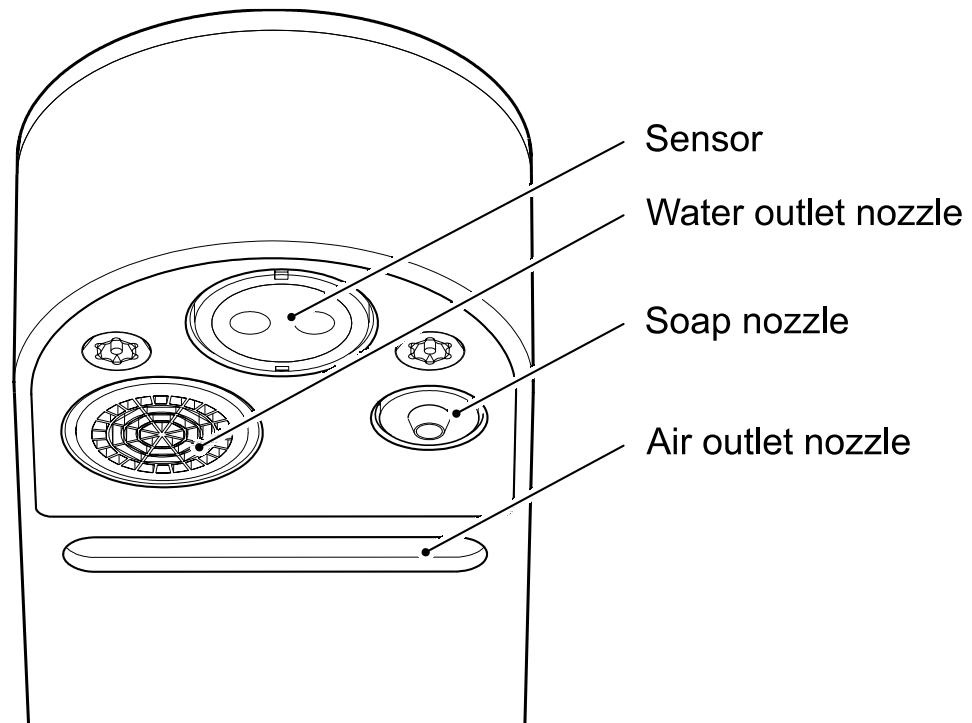
These instructions deal with the deck mounted version.

When hands are placed under the centre of the tap head, an infra-red sensor activates the hand washing and drying cycle, supplying soap (liquid or foam), warm water and dryer-air in amounts and intervals preset as required.

The unit can be installed in a variety of wall types, (depending on configuration) and most servicing can be carried out without removing the control module or tap head from its installed position. Note, the appliance is designed to be used in commercial areas.



**Figure 1:** Deck mounted tap dimensions [mm].

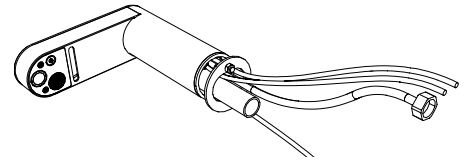


**Figure 2:** Tap head outlet nozzles.

## 6. Package Contents

Before you begin the installation, make sure that you have the following items:

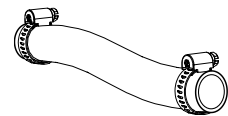
- ✓ 1 Tap head



- ✓ 1 Installation instructions



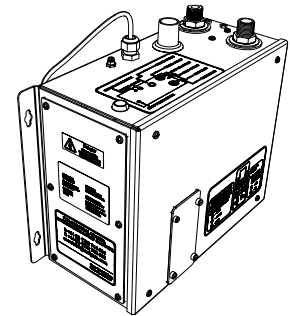
- ✓ 1 Air hose – with 2 jubilee clips



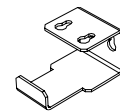
- ✓ 2 Cable ties



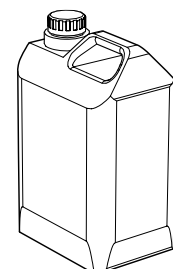
- ✓ 1 Control Module



- ✓ 1 Soap bracket



- ✓ 1 Container of liquid soap (2.5 litres)



## 7. Installing the Support Frame, Water, Waste and Electrical Connections

### 7.1. Pre-installation Guidelines

**Warning! This appliance is not to be installed in locations where freezing can occur.**

We recommend that adequate frost protection is provided in the building to ensure freezing does not occur.

**Note: When selecting a mounting position, it is important to consider the suitability of the wall construction. It must support the weight of the assembled unit as shown in Fig.6.**

**Note: Water and mains power are located on top of the control module**

Make an accurate opening in the deck surface according to the dimensions shown in Fig.4 noting the appropriate distance from the basin.

**Warning! All electrical work must be carried out by a qualified electrician and should be installed in accordance with the current Nationally Approved Regulation**

The installer must:

- Provide an electrical supply of 220–240VAC 50/60Hz with a socket suitable for the installation environment. For installations into rooms with baths or showers the control module is to be installed into a switched fused spur. The fused spur must be a 13Amp, double pole connection point that is local to the module (the contact separation of the fused spur switch should be at least 3mm). Earth bonding for this type of module must comply with the nationally approved regulations.

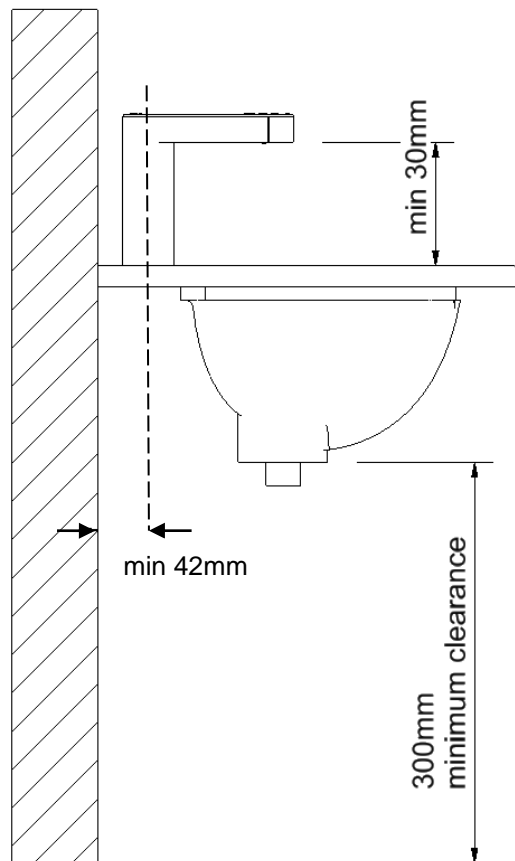
**Warning! The socket / switched fused spur MUST be easily accessible in case of emergency**

- Provide a water supply mounted a short distance from the module. Terminate the water supply with a suitable isolating tap. For optimum operation, a dynamic water flow pressure of between 1 & 3 bar is required.

**Note: Request advice from Wallgate before you connect the control module to a gravity-fed water supply.**

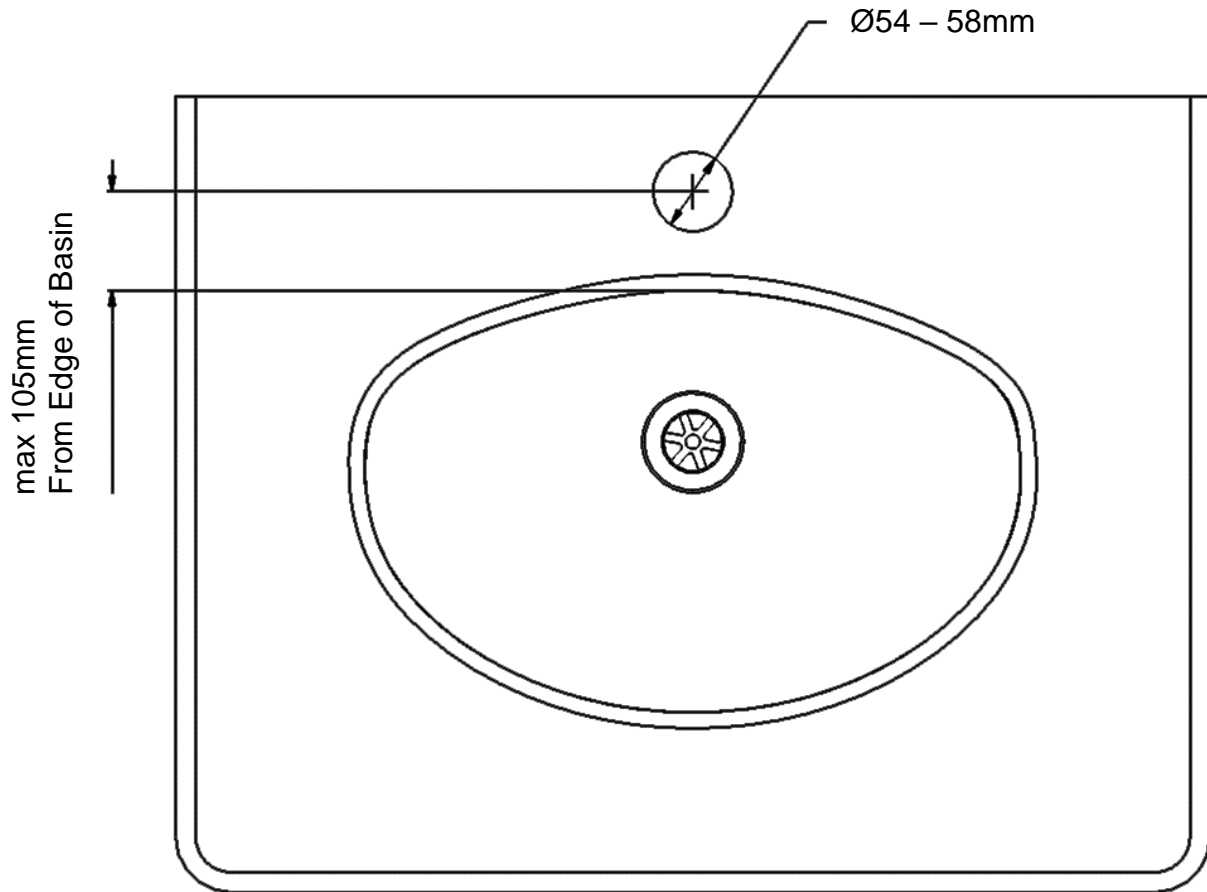
### 7.1.1. Deck Mounted Tap Head

Figure 3 shows the minimum allowable air gap between the underside of tap and spill-over level of basin for the deck mounted tap only, to achieve AUK 3 air gap. Please also note the clearance required under the basin and between the basin and wall.



**Figure 3:** Deck Mounted Tap mounting guidelines.

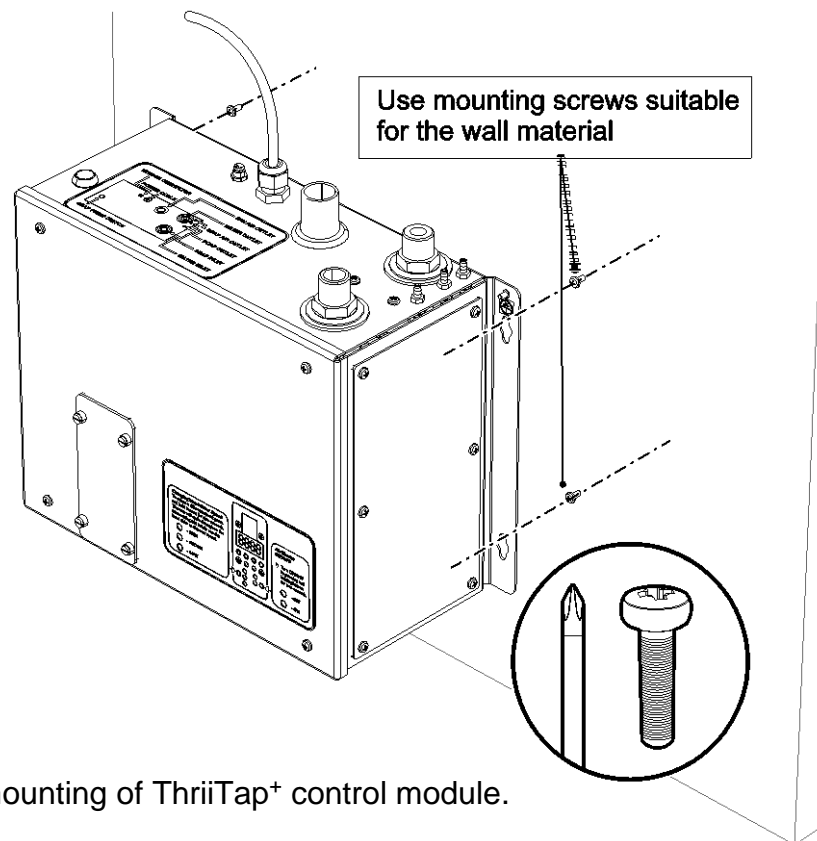
Measure, mark and core a hole through basin or vanity to the dimensions shown in figure 4 below.



**Figure 4:** Deck Mounted Tap mounting dimensions.

## 7.2. Mounting Guidelines

### 7.2.1. Control Module Mounting Guidelines



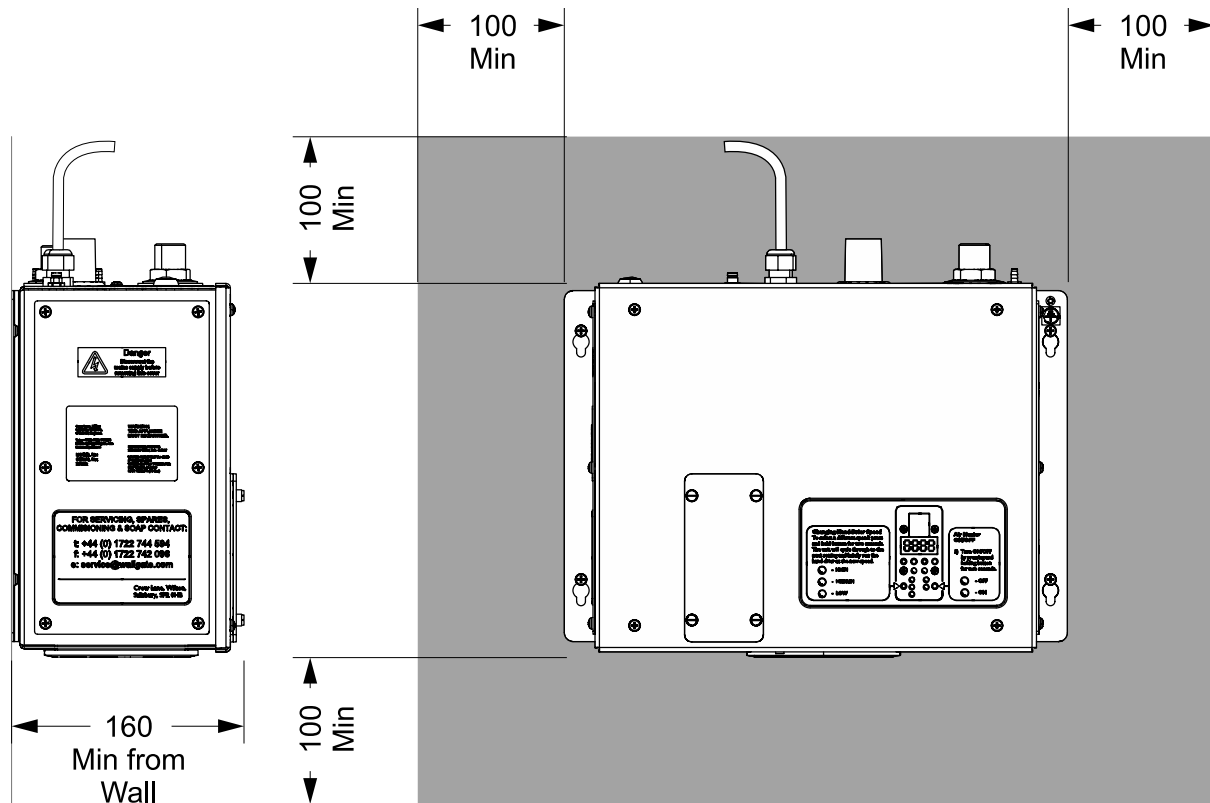
**Figure 5:** Wall mounting of ThriiTap+ control module.

It is recommended to use the orientation shown above (fig 5).

The control module is to be mounted to a flat wall via the mounting tabs. These are bi-directional slotted for ease of installation regardless of the control modules' orientation.

The control module must be fastened to the wall using mounting hardware suitable for the wall material (to be provided by others), and the wall must be robust enough to support the weight of the wall.

The control module must have a clearance envelope of 100mm (see Fig 6).



Ensure adequate ventilation to the bottom of the engine

**Figure 6:** Minimum control module clearance.

When the module is securely mounted to the wall the power cable should be connected to an easily accessible switched UK plug socket or switched fused spur (depending on installation requirements). The electrical installation must be compliant to local building and electrical regulations.

**Warning! All electrical work must be carried out by a qualified electrician and should be installed in accordance with the current Nationally Approved Regulations.**



### 7.2.2. Soap Hook Mounting Guidelines

The soap hook can be installed remotely from the module in a position convenient for access, and within space constraints. 0.6m of soap tube is supplied for connection between the soap bottle and the module.

The soap hook must be fastened to the wall with appropriate fasteners for the wall material (to be supplied by others).

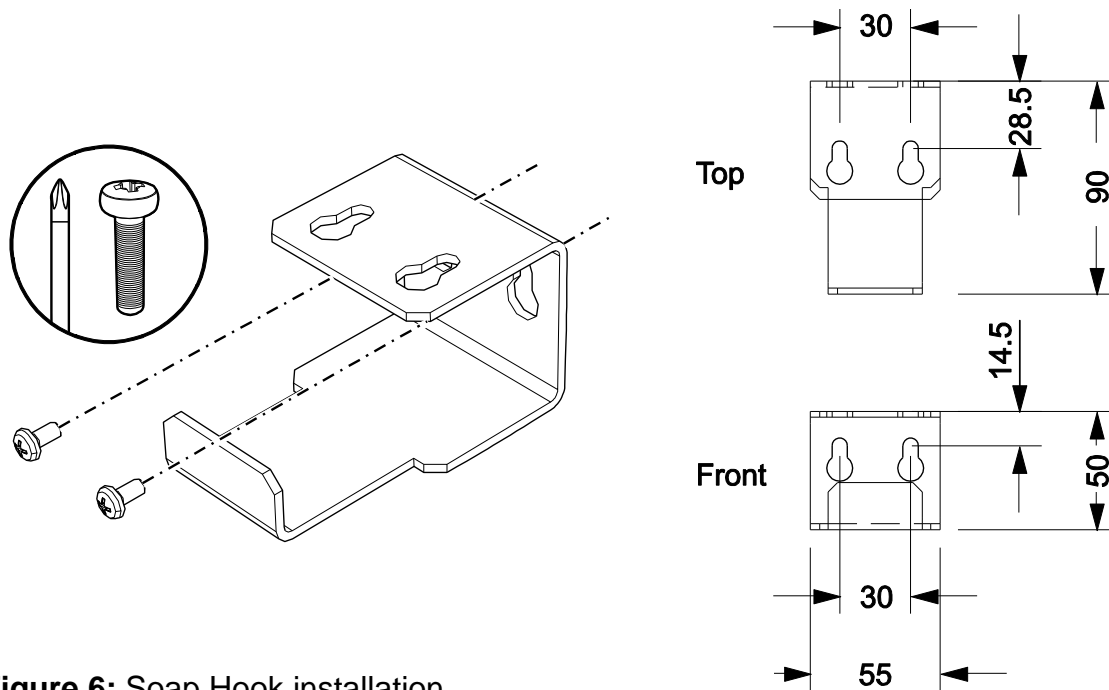
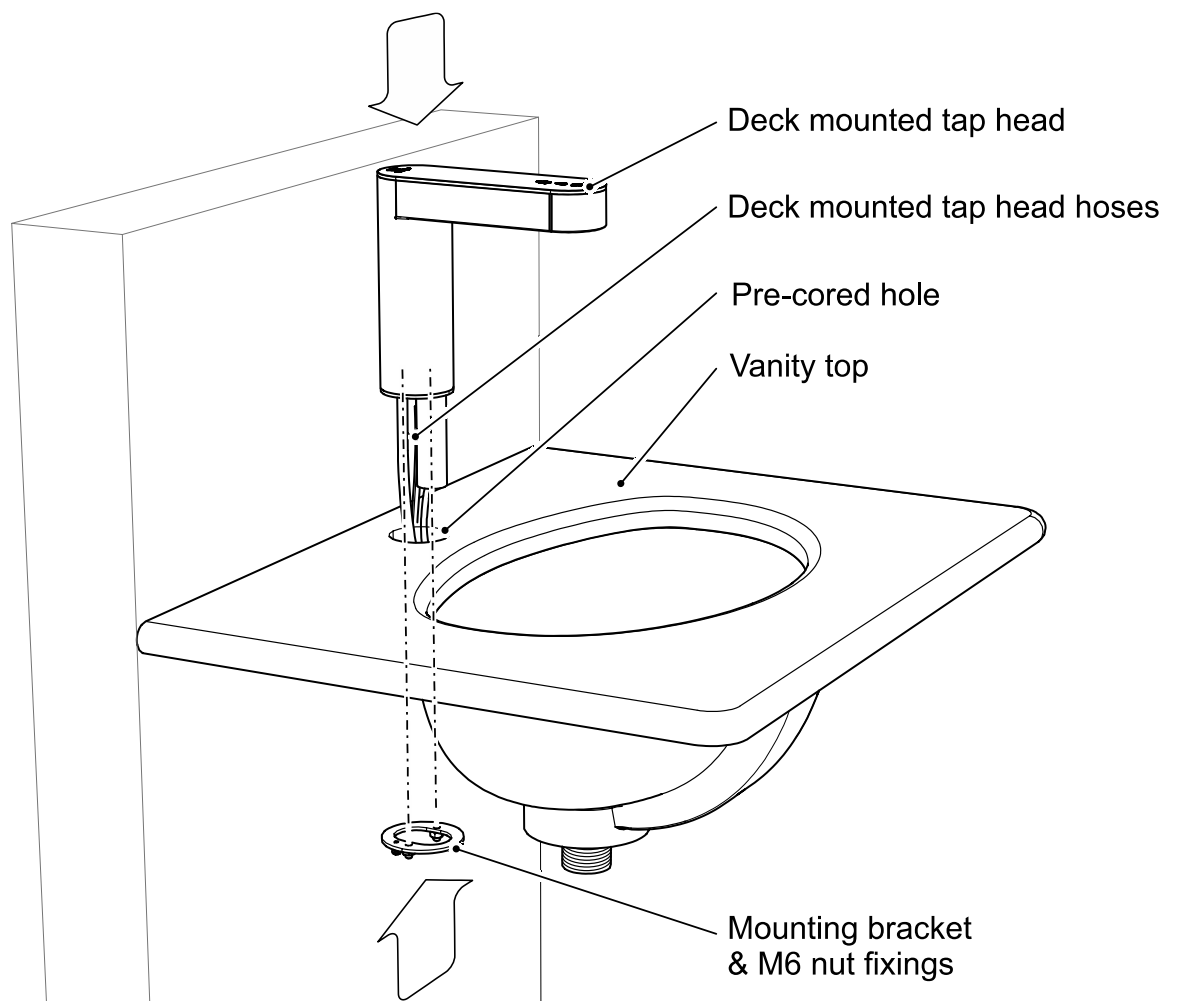


Figure 6: Soap Hook installation.

## 7.2.3. Tap Head Mounting Guidelines

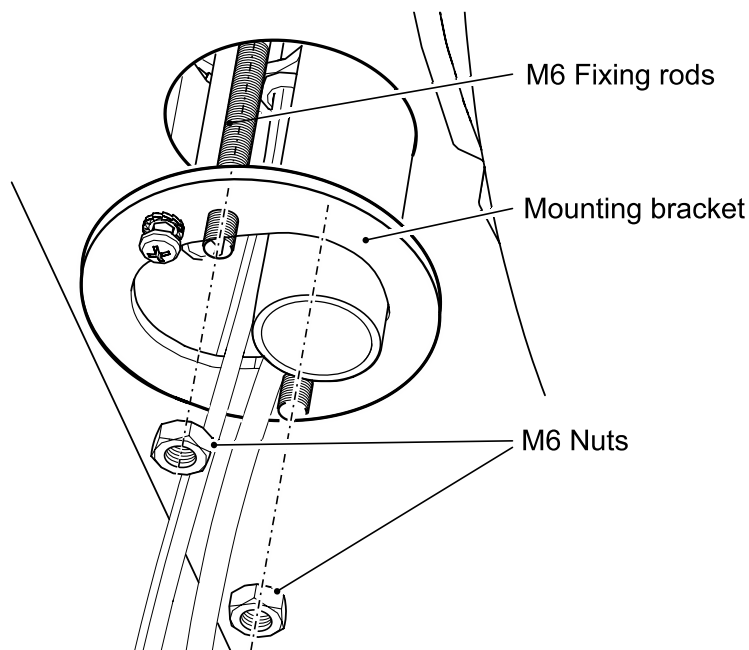
### 7.2.3.1. Deck Mounted Tap Head

1. Remove 2x M6 nuts and mounting bracket from tap head.
2. Carefully pass tap head hoses through hole made in basin or vanity before seating washer and tap onto deck as shown in figure 7.



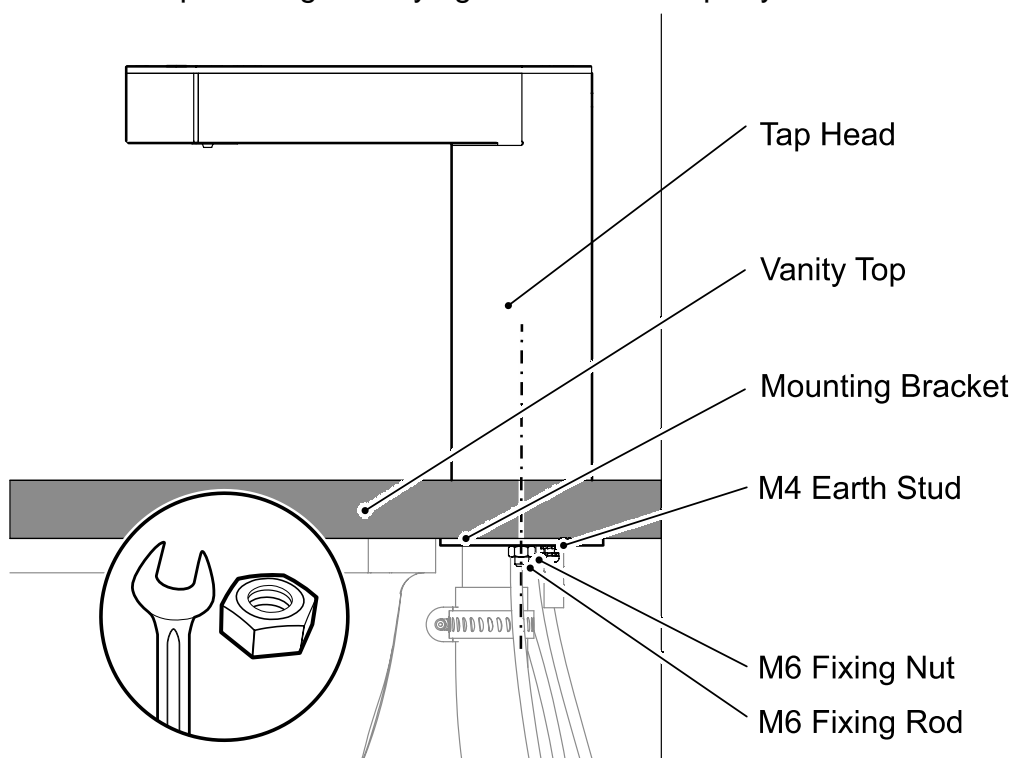
**Figure 7:** Tap head installation into vanity top or basin.

- Then thread the mounting bracket over to hoses. Position the mounting bracket over the tap assembly and align with the two M6 threaded rods. Secure into position using the M6 nuts and tighten by hand.



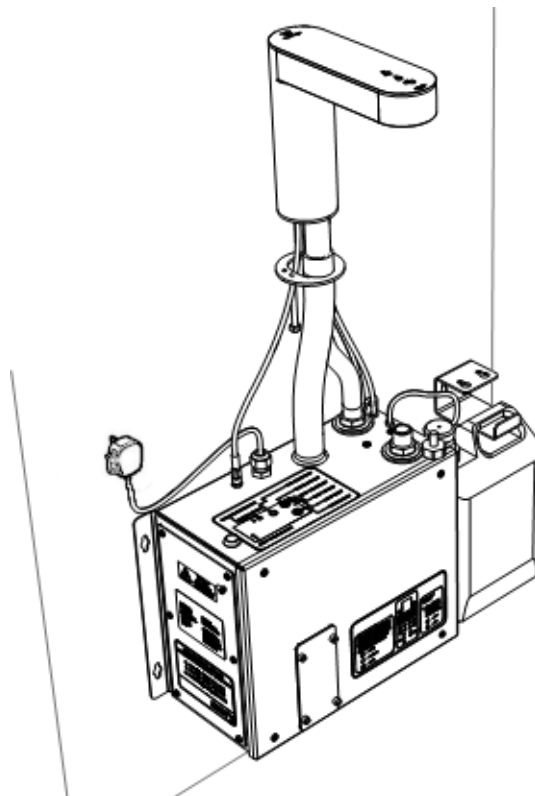
**Figure 8:** Installing fixing bracket.

- Check the orientation of the tap head is correctly positioned over the basin. Once this is in position gradually tighten each nut equally to 5Nm.

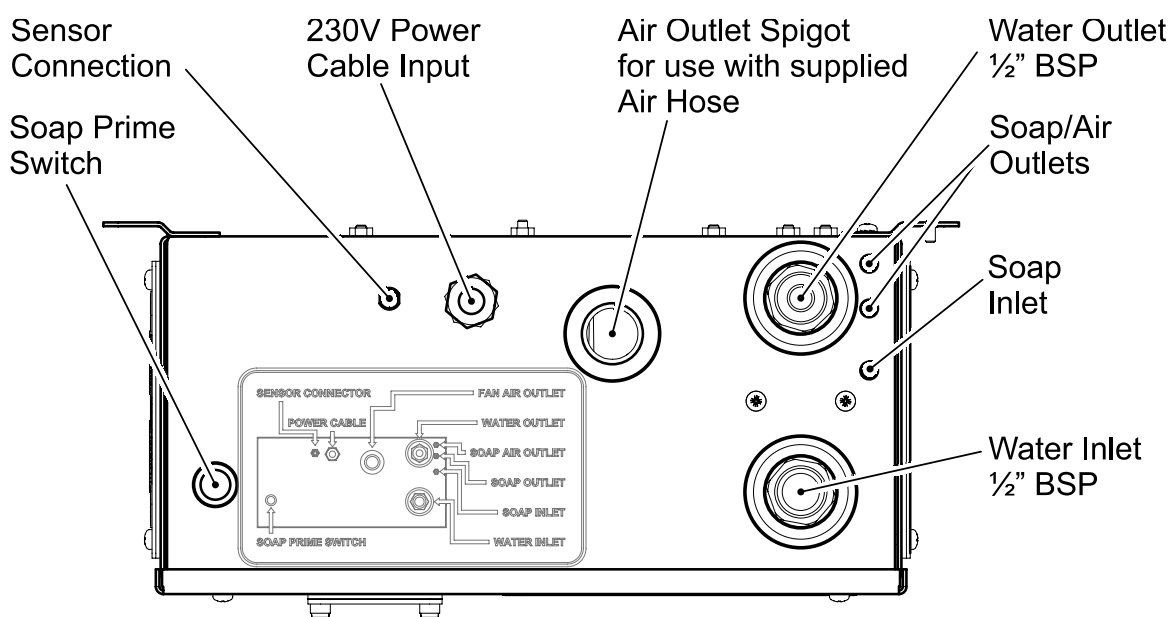


**Figure 9:** Fixing bolt locations

### 7.3. Connecting the Control Module to the Tap head

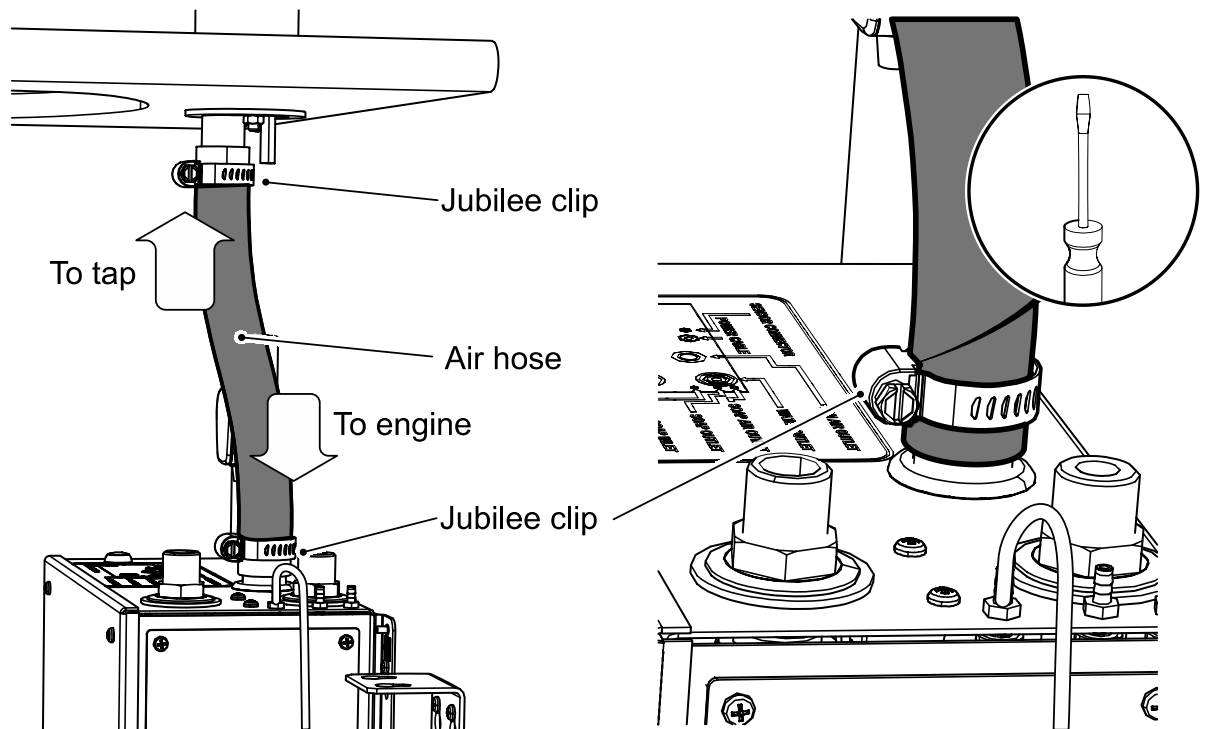


**Figure 10:** Deck mounted tap shown without vanity top



**Figure 11:** Control Module I/O arrangement.

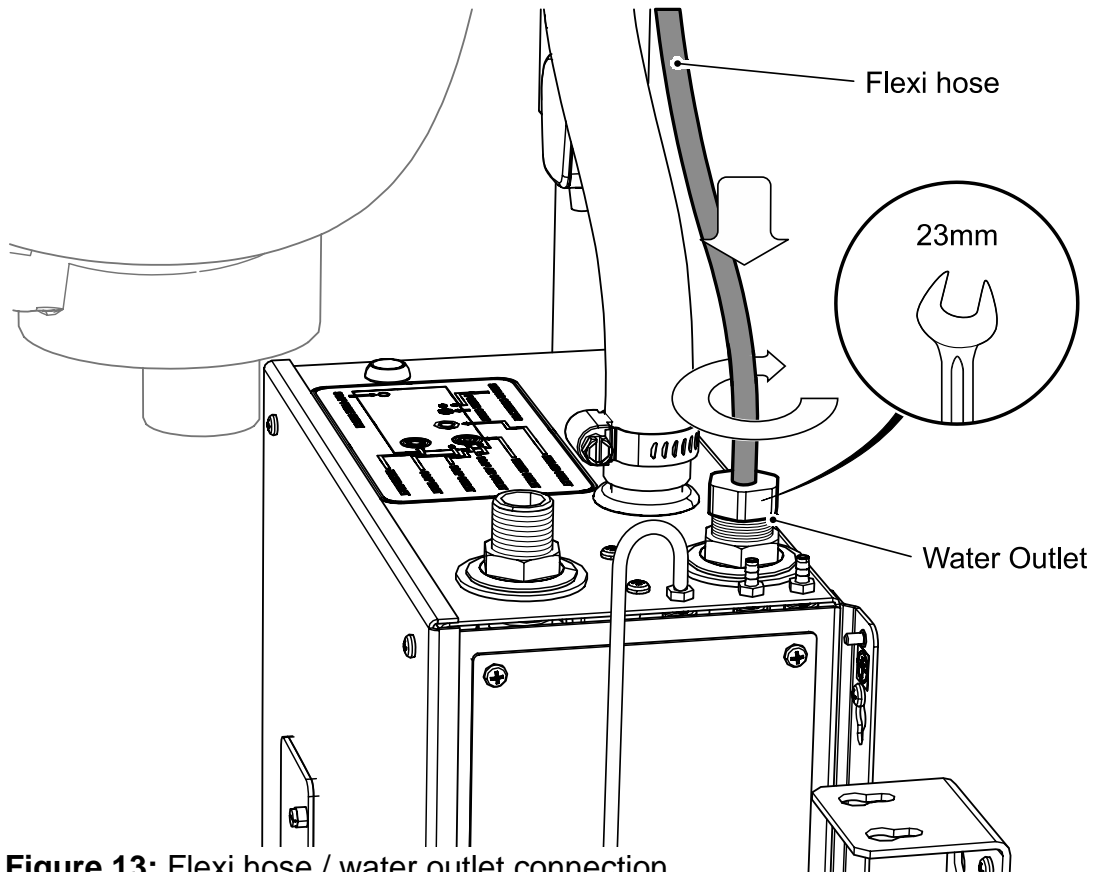
1. First connect air hose to tap. Ensure jubilee clips are positioned roughly 15mm from each end of air hose. Push one end of air hose over black air hose spigot protruding from bottom of tap head. Then push the other end over the “air outlet spigot” on the module (see fig 11 for reference).



**Figure 12:** Air hose connection.

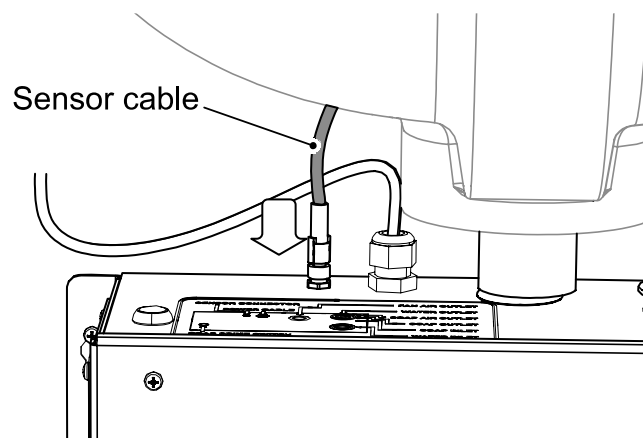
2. Ensure each jubilee clip is positioned over spigot and then tighten with flat head screwdriver to hold air hose in place.

3. Now take the flexi hose and check rubber O-ring is fitted correctly in half inch BSP female nut. Then screw on to module “water outlet” by hand. Tighten with 23mm spanner.



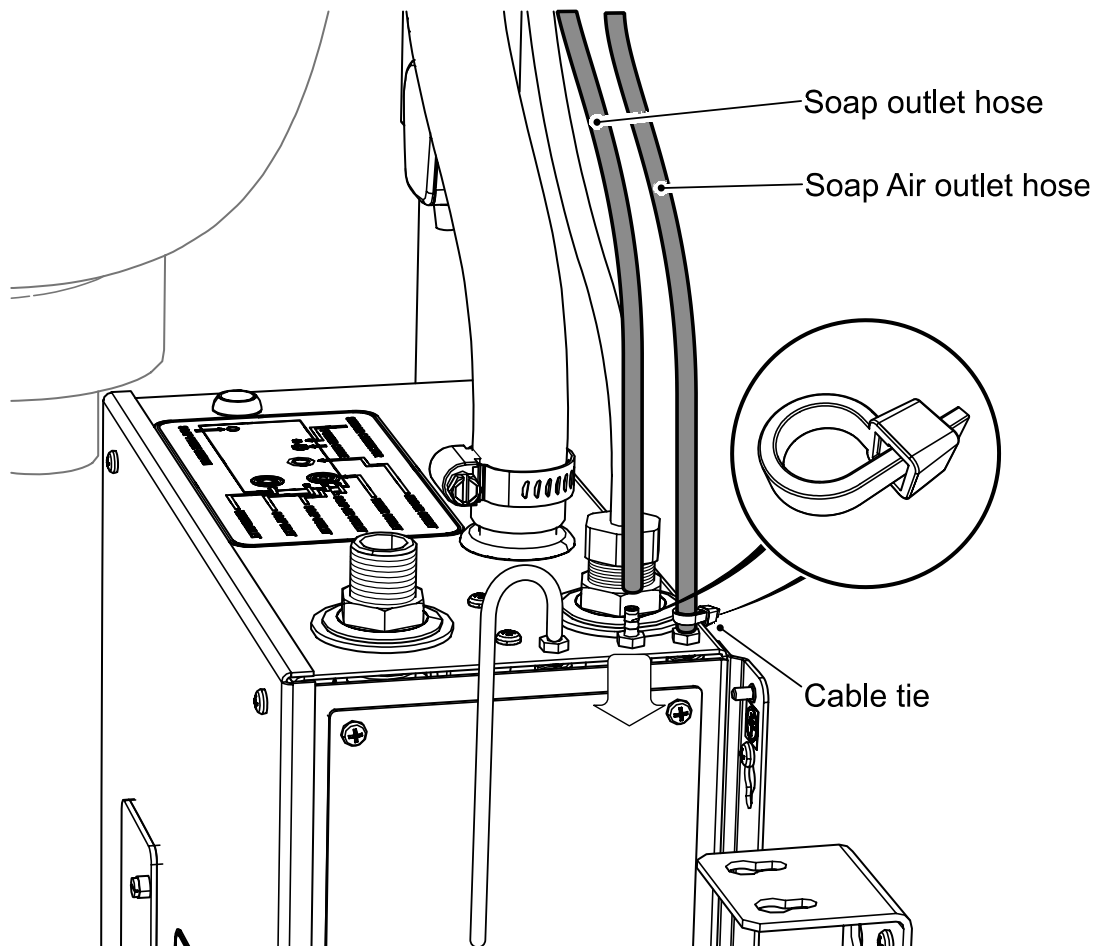
**Figure 13:** Flexi hose / water outlet connection.

4. Next take M8 sensor cable connection from tap head and connect to “sensor connection” on module. Align pins and tighten by hand.



**Figure 14:** Sensor cable connection.

5. Take 2x soap hoses from bottom of tap head and push over “soap and air outlets” indicated in fig 11. Use 2x cable ties to secure soap tube onto outlet spigots.



**Figure 15:** Soap Air outlet connections.

## 7.4. Mains Water Connection to Control Module

The hand wash unit can be used with various water input methods with all internal components suitable for contact with water up to 60°C.

The water temperature is not controlled by the module therefore a suitable temperature control system must be fitted before the module that is in line with local regulations.

Alternatively, the unit can be operated as cold water only, by directly connecting the module to a cold-water supply.

The unit should be fitted after an isolating valve to allow for ease of maintenance and installation.

1. To connect the control module to the water supply simply screw on a ½" BSP connector to the "water inlet" detailed in fig 11.

## 7.5. Commissioning for use

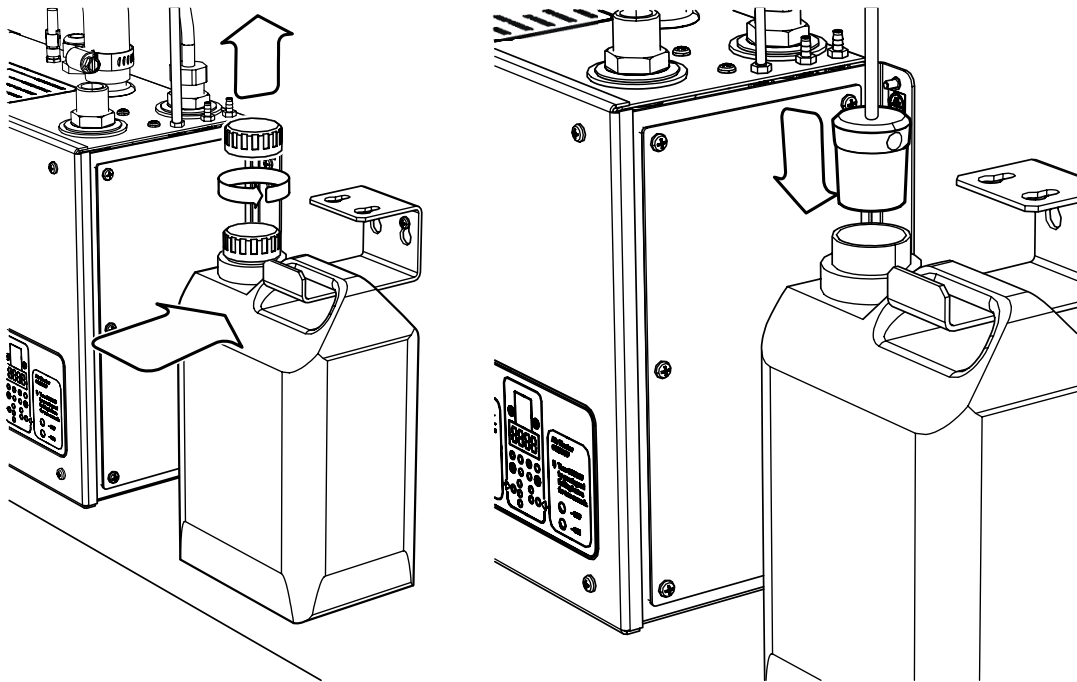
**To commission the Wallgate ThriiTap+ :**

1. Ensure the control module cover panels are securely fitted and the electrical plug is securely connected to the fused spur.
2. Inspect all connections on the top of the Control Module to make sure the air, soap, water, and sensor connections are secure and seated correctly.
3. Fully open the mains water supply isolating tap. Check the incoming water connections for leaks.
4. Switch ON the power to the Control Module, this will power-up the Wallgate ThriiTap+ ready for use.
5. Upon initial power-up, the Wallgate ThriiTap+ automatically runs through a 15-second water calibration cycle. This is repeated every time the mains power supply is interrupted. This will also activate the clock on the LCD.
6. Ensure no leaks have occurred around the connections between the control module and the tap head.

**Note: A range of compatible liquid soaps & specifications are available from Wallgate.**

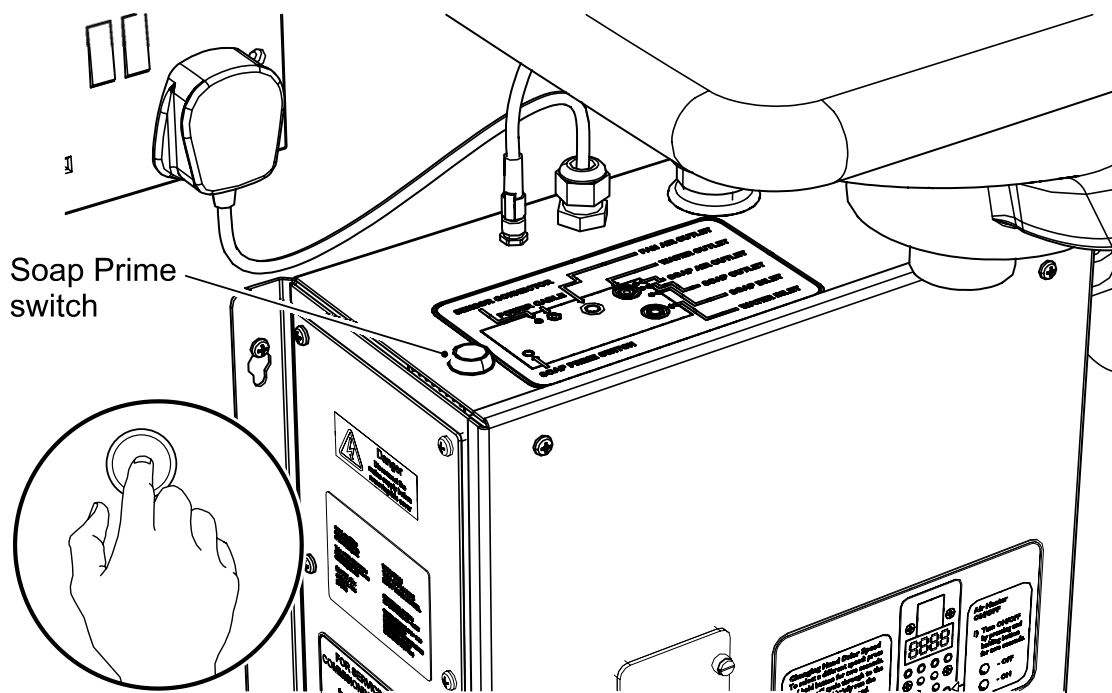
7. To install the soap container, place the soap container onto its mounting hook, ensure the soap bottle is level and stable.





**Figure 16:** Soap bottle installation/connection.

8. Unscrew the cap from the soap container and replace with the push-fit cap pre-connected to the soap tube pushing fully into place ensuring no leaks.
9. Press the soap prime switch (the button on the underside of the control module next to the air intake grille and the soap mode switch) until soap is consistently dispensed into the bowl.



**Figure 17:** Soap prime switch operation.

10. Check the wash & dry cycle operates correctly as per the list of checks below and repeat the cycle at least five times.

- ✓ Soap dispenses.
- ✓ Water dispenses & water is warm (if heated supply is installed).
- ✓ Hand dryer operates.

**Note: Soap and water will dispense, and the hand dryer will operate only when the hand sensor detects the presence of hands under the tap head, the water and air will stop when the sensor fails to detect any hands after a period of 2 seconds.**

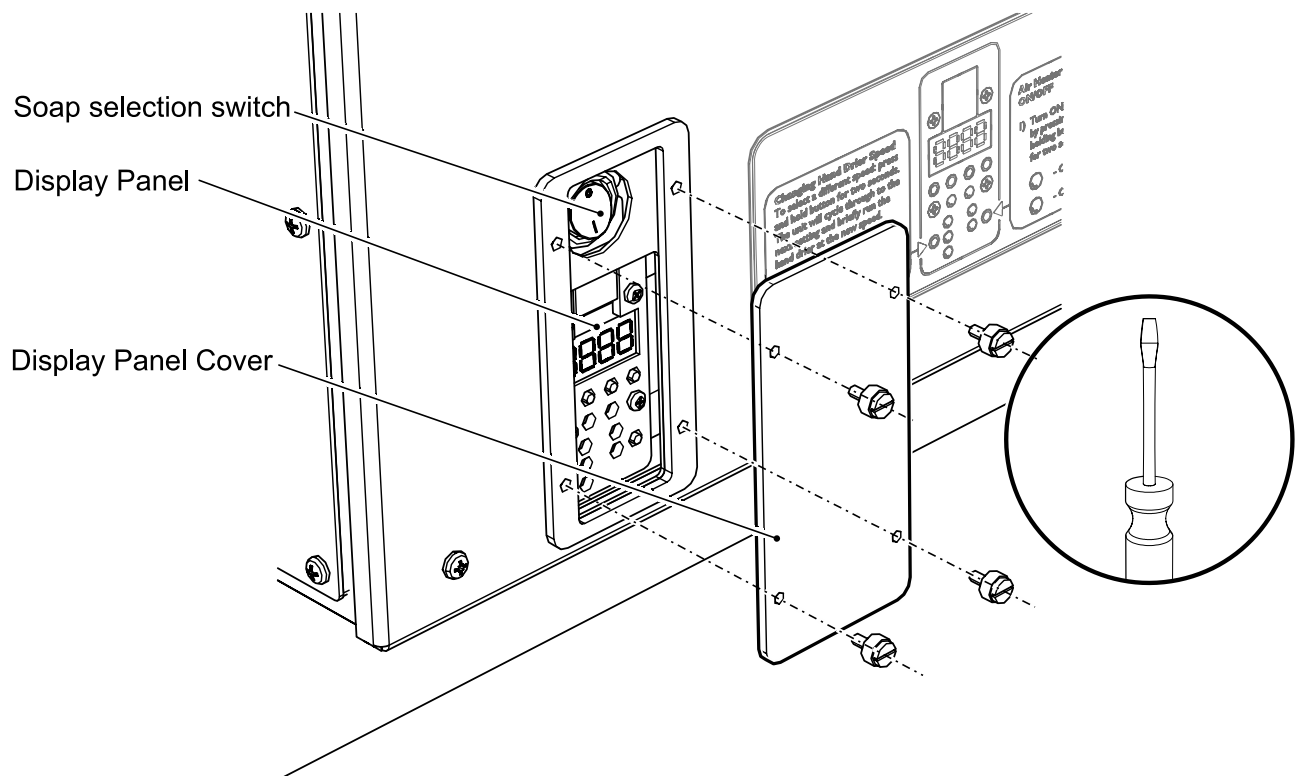
11. Upon completion ensure that a copy of the instruction manual (or leaflet) is passed to the customer.

## 8. Programmed Settings

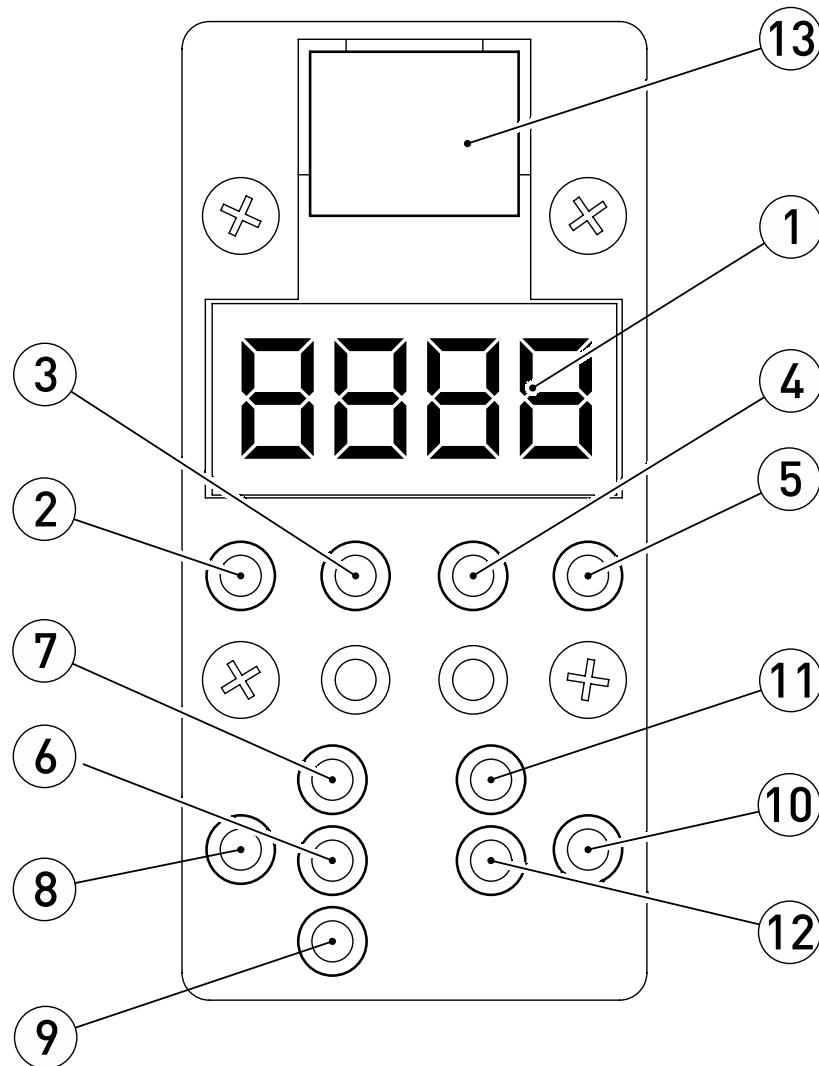
The Wallgate ThriiTap+ operational program is supplied factory set but can be adjusted to suit the end-user requirements.

Any service or repair work must be done by a qualified engineer. During the warranty period, the service or repair must only be done by a Wallgate engineer or appointed service agent. Refer to the Wallgate terms and conditions for warranty information.

The display cover must be removed to allow settings to be changed. This can be done by removing the two M3 thumb screws from the cover either by hand or with a flat head screwdriver (Fig 18). The panel must be replaced when the in use to prevent ingress of water into the module.



**Figure 18:** Display cover removal.



Item	Description	Item	Description
1	LCD	8	MED Fan speed LED indicator
2	Menu Select button	9	LOW Fan speed LED indicator
3	UP Button	10	Air Heater ON/OFF
4	DOWN Button	11	Air Heater OFF LED indicator
5	ENTER Button	12	Air Heater ON LED indicator
6	FAN SPEED Button	13	Ribbon cable connector
7	HIGH Fan speed LED indicator		

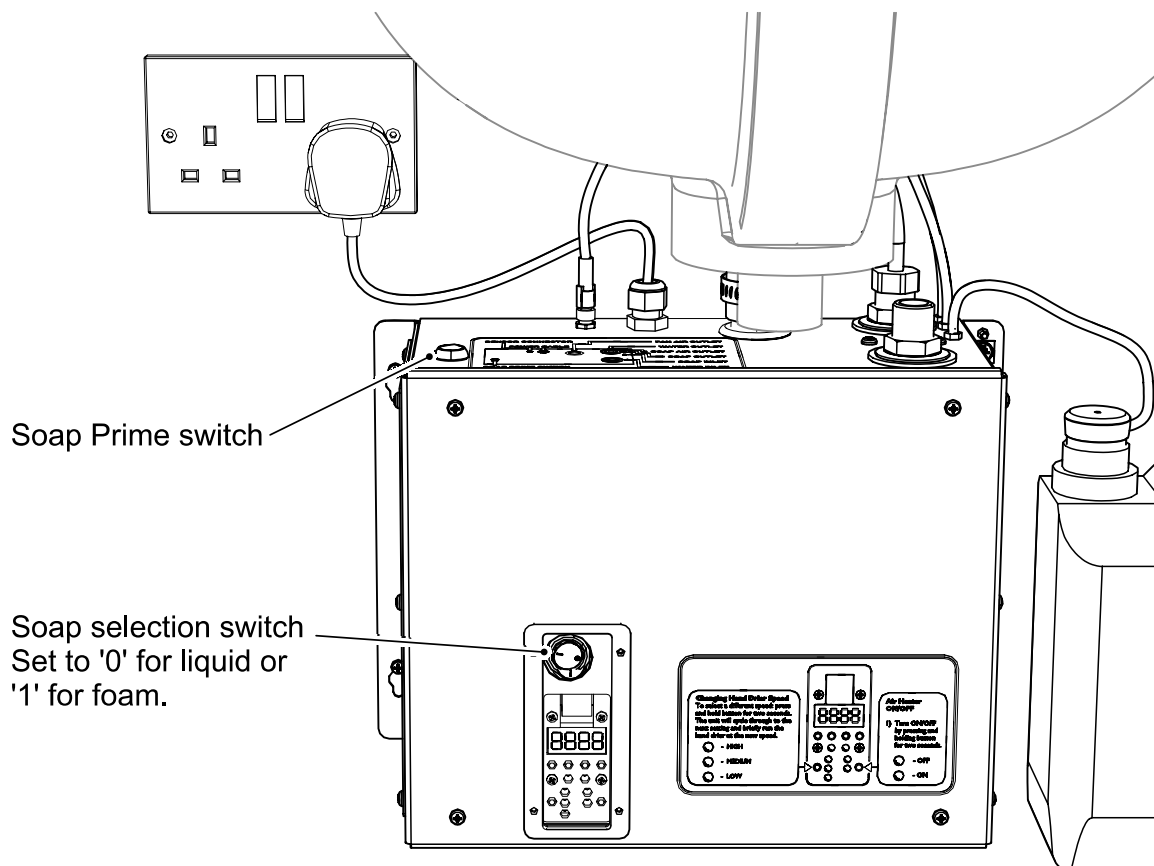
**Figure 19:** Display panel key.

## 8.1. Operation

The hand wash and dry cycle is activated when your hands are placed centrally under the tap and dispensing nozzles. An infra-red hand sensor initiates the cycle when it detects hands under the tap head. When the cycle starts, a sequence of soap, water and hand dryer air are dispensed. Note that the water dispensing, and hand dryer functions include a feature to auto-cancel a cycle that is in operation should the user remove their hands from underneath the tap head before either cycle has completed its preset time. The cycle cancels after the user's hands have been removed from under the tap head (Water 4 sec & Hand drier 2 sec). This feature can be adjusted to increase or decrease the 2 second default time or the feature can be disabled, refer to section 8.2 for information.

### 8.1.1. Soap Operation

There are 2 settings for soap delivery, LIQUID (default) or FOAM. The rocker switch used to change the soap option is located under the control panel cover on control module. Adjust the switch to position 0 for liquid or position 1 for foam see below:



**Figure 20:** Soap switch positions

### 8.1.2. Dryer Operation

There are 3 dryer speed settings. The control to adjust the speed is located on the control module LCD control panel. To change the speed, the Control Module must be powered up (The fan does not need to be operating). On the LCD control, there is a small push button labelled 'Fan Speed' see figure 19. Press and hold this button to select the desired setting, this is confirmed by a five-second fan cycle. (It should be noted that lowering the fan speed will take longer to dry the hands). The dryer is set as "High" by default.

### 8.1.3. Air Heater Operation

The ThriiTap+ hand dryer has an air heater installed to ensure the user dries their hands in comfortable, high velocity air. The air heater is set to ON by default however can be turned on or off with the LCD control panel shown in figure 19. Press and hold button 10 for 2 seconds to switch between the two settings. To show the setting has been confirmed the correct LED will illuminate.

### 8.1.4. Hygiene Purge

The ThriiTap+ handwash unit is factory set to **not** run an automatic hygiene purge. The handwash can be set to give a 1-minute water cycle, hygiene purge at 00:00 every day by changing setting F53 to 1. This is the default setting; final settings are the responsibility of the customer and must be based on the specific requirements of their water system. To adjust the settings, follow the instructions in the advanced adjustment section 8.2.1.

## 8.2. Advanced Adjustment

The unit is supplied with factory settings as shown in Fig. 21 below. Further adjustments can be made to the configuration of the water, soap, air operations, the cycle sequence and the IR sensor trigger or activation length.

**Warning! Incorrect alterations to the default hand wash settings may result in malfunctions or possible unit damage. If in any doubt, contact “Wallgate after-sales service” for advice & information.**

Description	Factory Settings	Setting range			Function
		Min.	Max	Increment	
Soap dosage liquid/foam	0.4 sec	0.1	10	0.1	F 8
Delay Time	1 sec	1	10	0.1	F 10
Water Time	10 sec	1	100	1	F 04
Dryer Time	45 sec	1	100	1	F 06
End of cycle delay Time	3 sec	1	10	0.1	F 11
Water cycle auto cancel <sup>1</sup>	0 sec	0	10	1	F149
Hand drier auto cancel <sup>1</sup>	2 sec	0	10	1	F71
IR sensor trigger length	100	1	250	1	F68
Set to zero to disable the auto cancel function.					

**Figure 21:** Settings table.

Figure. 21 F-Functions table for Water, Dryer and Soap times (shown in order of operation) & auto cancel function.

1. To change the settings, you will need to enter the programming mode, press and hold 'MENU' and 'ENTER' buttons simultaneously for 5 seconds see figure 19. After this period, the display will read 'F 01'.
2. With 'F' menu item displayed (as shown in the Fig.19), momentarily pressing the 'UP' and 'DOWN' buttons will move up and down the menu selection.
3. When the desired menu item is selected, press the 'ENTER' button to confirm. The display will show the current value, flashing, for that menu item.
4. To adjust the flashing value, press the up or down button as required.
5. To save the required value, press the 'ENTER' button. This action saves the value and switches the display back to the selected menu item.

6. For further adjustments repeat steps 1 to 5, or to exit the programming mode momentarily press the Menu Select button. A 20 second period of inactivity will automatically exit the programming mode and revert to displaying the time.

Instructions can be downloaded from the Wallgate web site or contact Wallgate Ltd to:

- ✓ Restore the unit to factory default settings.
- ✓ Instructions to change the cycle sequence of soap – water – hand dryer.

### 8.2.1. Hygiene Purge Adjustment

Follow the instructions in the previous section to enter and navigate the F-Functions menu. F54 and F55 sets the time of day to purge, F56-F62 enable/disable specific days to purge, the repeat setting (F63) refers how many purges required, interval is the time between purges (F64) and the run time (F65) is the water purge time.

Description	Factory Settings	Setting range			Function
		Min.	Max	Increment	
Automatic Hygiene Mode 0 – Hygiene Flush Off. 1 – Hygiene Flush On.	1	0	1	1	F53
Auto Hygiene Flush Start Hour	0	0	23	1	F54
Auto Hyg. Flush Start Minute	0	0	59	1	F55
Auto Hygiene Day 1 Sun.	On	Off	On		F56
Auto Hygiene Day 2 Mon.	On	Off	On		F57
Auto Hygiene Day 3 Tue.	On	Off	On		F58
Auto Hygiene Day 4 Wed.	On	Off	On		F59
Auto Hygiene Day 5 Thu.	On	Off	On		F60
Auto Hygiene Day 6 Fri.	On	Off	On		F61
Auto Hygiene Day 7 Sat.	On	Off	On		F62
Auto Hygiene Repeat	1	0	23	1	F63
Auto Hygiene Interval	23	1	23	1	F64
Auto Hygiene Run Time	1	0	59	1	F65

**Figure 22:** Purge Adjustment table.



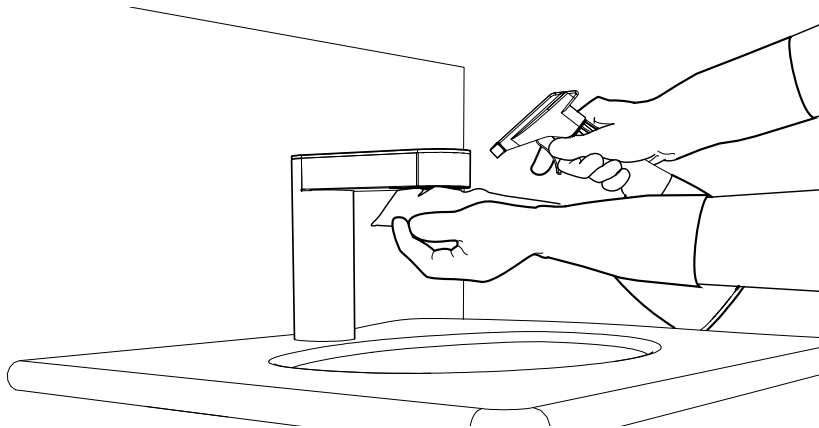
## 9. Care, Routine Maintenance, Service and Repair

The ThriiTap+ is well designed and manufactured from high-quality materials. If you install, operate, and maintain it according to the instructions given in this manual, the tap will give reliable and efficient service. If you need any further information or advice, please contact Wallgate Customer Services.

### 9.1. Care and Cleaning

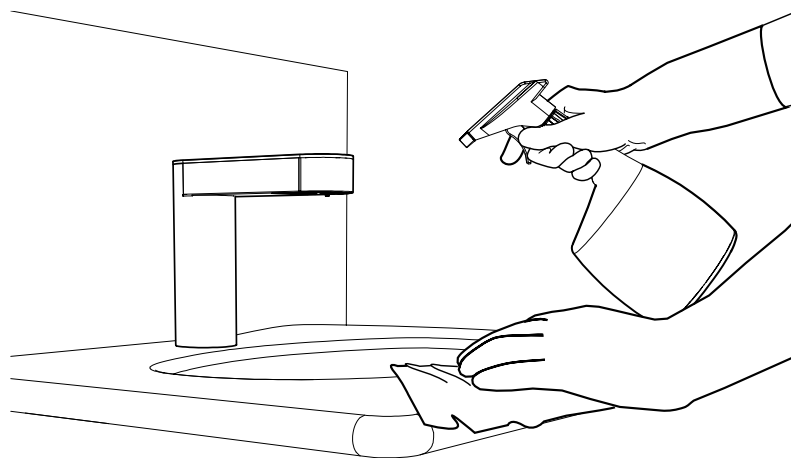
The ThriiTap+ should be cleaned daily. Follow these 3 steps to ensure the unit performs to its best and remains hygienic. Using the wrong cleaning method or product may invalidate the warranty.

1. Wipe sensor and nozzles using a soft cloth and non-abrasive cleaner.



**Figure 23:** Tap sensor cleaning.

2. Clean all tap surfaces, sink, mirror and any walls or counter tops.



**Figure 24:** Surface cleaning.

3. **REGULARLY** clean air filter on base of control module (under sink). Ensure plughole in sink is free from blockages so water can drain freely.

**Note: All cleaning chemicals should be used exactly as indicated by the manufacturer's instructions (including appropriate dilution).**

**Note: Any chemicals intended for use should first be tested on an inconspicuous area to check suitability.**

### Chemical guidelines

Most professional cleaning chemicals suitable for stainless steel can be used.

The following are some that are harmful to the ThriiTap+

- Alcohol-acid mixes
- Alcohol Solvent /oil-based mixes
- Quaternary ammonium
- Alkali-bleach mixes
- Foaming ingredients
- Bleach or abrasive cleaners

Contact us for more information:

01722 744594

[www.wallgate.com](http://www.wallgate.com)

## 9.2. Routine Maintenance

The following routine regular maintenance in between service intervals will help to prevent premature parts failure:

- Flush the soap pump system with warm water to remove congealed soap within the pump, tube & soap nozzle.
- Clean the external surfaces of the soap nozzle to remove congealed soap.
- De-scale the water spray nozzle.
- Clean the lens on the infra-red hand sensor.
- Clean the waste outlets on the basin bowl and flush out / clean the waste sump.
- Clean & de-scale the tap head (the water outlet nozzle can be replaced if necessary (see figure 25).
- Check the control module functions of soap, water and dryer dispensing are operating correctly. Any malfunction must be reported so that service repair work can be arranged to avoid further potential damage to the module.
- Clean the solenoid valve inlet filter and diaphragm.
- Inspect external air filter on the bottom of the control module for dust and debris, clean or replace the filter mesh if blocked (see figure 25).

**Warning! Switch OFF the electrical power to the module in the event of a serious fault or if the module fails to operate.**

### 9.3. Service and Repair

Service warning indicator: The LCD display shown in figure 19 will show “Ser” when a recommended service is required or alternatively it is recommended that the unit is serviced every 56000 cycles or a minimum of once per annum.

**Note: Service warning indicator reset: Press & hold buttons 3&5 together for 4 seconds.**

Any service or repair work must be done by a qualified engineer. During the warranty period, the service or repair must only be done by a Wallgate engineer or appointed service agent. Refer to the Wallgate terms and conditions for warranty information.

**Warning! Risk of electric shock, serious injury or death. Only qualified personnel should remove the cover of the control module when powered up.**

### 9.4. Spare Parts

Part No.	Description
SPU102	Soap Pump Assembly
SNA102	Soap Nozzle
SF0002	Soap Filter
WS3860	Water Solenoid Valve
WN4015	Water Nozzle
FU0500-FBA-1-AH-C	Fan Blower Unit
TOOL-424	Soap nozzle tool

Part No.	Description
DL7546	Water nozzle service tool
FF4002	External filter media
TCU101-4	Electronic Control Board
DMT-S	Infra-Red Hand Sensor
EDC101	Electronic Display Circuit
EF6539	EMC Filter

**Figure 25:** Spare Parts List

A large range of Wallgate spares and replacements can be found and ordered directly at [www.shop.wallgate.com](http://www.shop.wallgate.com)

Wallgate Ltd offers comprehensive after-sales and service support. For more information, contact Wallgate Ltd 01722 744594 or visit [www.wallgate.com](http://www.wallgate.com).

Appendix

Function	Description	Range			Remarks	Mode Defaults				
		Min Setting	Max Setting	Increment		Manual 1	Auto 1	Auto 2	Auto 3	Security 1
F1	Water Time A	1	100	1	Seconds	1	2	2	2	2
F4	Water Time D	1	100	1	Seconds	10	8	10	10	12
F6	Drier Time B	1	100	1	Seconds	1	45	45	45	35
F7	Soap Time A	0	3.0	0.1	Seconds. <small>(Note 5)</small> <i>Manual Mode Soap Time.</i>	0.2	0.2	0.2	0.2	0.2
F8	Soap Time B	0	3.0	0.1	Seconds	0.4	0.4	0.4	0.4	0.4
F10	Delay Time B	1.0	10.0	0.1	Seconds	1.0	1.0	1.0	1.0	1.0
F11	Delay Time C	1.0	10.0	0.1	Seconds	2.0	2.0	2.0	2.0	2.0
F12	Delay Time D	1.0	10.0	0.1	Seconds	1.0	10.0	10.0	10.0	10.0
F21	Task 1	0	12	1	Function F1 ~ F12	0	F8	F1	F1	F10
F22	Task 2	0	12	1	Function F1 ~ F12	0	F10	F10	F10	F1
F23	Task 3	0	12	1	Function F1 ~ F12	0	F4	F8	F8	F10
F24	Task 4	0	12	1	Function F1 ~ F12	0	F10	F10	F11	F8
F25	Task 5	0	12	1	Function F1 ~ F12	0	F6	F4	F4	F11
F26	Task 6	0	12	1	Function F1 ~ F12	0	F11	F10	F10	F2
F27	Task 7	0	12	1	Function F1 ~ F12	0	0	F6	F6	F10
F28	Task 8	0	12	1	Function F1 ~ F12	0	0	F11	F11	F6
F35	Operating Mode	0	1	1	0 ~ Manual. 1 ~ Automatic.	0	1	1	1	1
F36	RTC Hour <small>(Note 6)</small>	0	23	1	RTC Hour. GMT/BST	n/a	n/a	n/a	n/a	n/a
F37	RTC Minute <small>(Note 6)</small>	0	59	1	RTC Minute. GMT/BST	n/a	n/a	n/a	n/a	n/a
F38	RTC Day <small>(Note 1) (Note 6)</small>	1	7	1	RTC Day Of Week.	n/a	n/a	n/a	n/a	n/a
Functions F39-F66 are N/A										
F68	IR Trigger Level <small>(Note 6)</small>	1	250	1		n/a	n/a	n/a	n/a	n/a
F70	Pump Mode	0	2	1	<small>(Note 3b)</small> 0 ~ Cyclic Pump Foam 1 ~ Cyclic Pump Liquid 2 ~ Continuous Pump Foam 3 ~ Continuous Pump Liquid	3	3	3	3	3
F71	Fan 'Auto Off Timer' <small>(Note 4)</small>	0	10.0	0.1	0.1 Seconds	4.0	2.0	2.0	2.0	0
F79	Set Factory Defaults <small>(Note 6)</small>	0	2	1		n/a	n/a	n/a	n/a	n/a
1 ~ Set Manual Defaults 2 ~ Set Auto Defaults 1 3 ~ Set Auto Defaults 2 4 ~ Set Auto Defaults 3 5 ~ Set Security Defaults 1  <i>Note: This is a function, and has no non-volatile memory associated with it. Defaults to 0 on Reset. (Example: Setting to 1 will modify all settings to match the 'manual 1' column)</i>										

F80	Operation Counter <small>(Note 6)</small>	0	9999	1	Press and Hold Select to Reset. (X 100 Operations)	n/a	n/a	n/a	n/a	n/a
F95	Liquid Pump Iterations	1	20	1	<small>(Note 7)</small>	1	1	1	1	1
F100	Foam Pump Iterations	1	20	1	<small>(Note 7)</small>	1	1	1	1	1
F134	Soap Counter				X 100 Operations.					
F135	Fan Counter				Fan Usage in Hours.					
F145	Soap Warning LED Colour	0	8	1		1	1	1	1	1
F146	Soap Counter Warning Level	0	250	1	X 100 Operations.	0	0	0	0	0
F147	Soap Warning LED Pulses	1	5	1		1	1	1	1	1
F148	Soap Counter Reset on Prime	0	1	1		1	1	1	1	1
F149	Auto Water Off	0	100	10	<small>(Note 9)</small>	0	0	0	0	0
F151	Hot Air Enable	Off	On		Enable heater output with fan	Off	Off	Off	Off	Off

Table 'A'			Table 'B'			Table 'C'		
Menu No	Program Function	Function No	Menu No	Program Function	Function No	Menu No	Program Function	Function No
F21	SOAP	F8	F21	WATER	F1	F21	WATER	F1
F22	DELAY	F10	F22	DELAY	F10	F22	DELAY	F10
F23	WATER	F4	F23	SOAP	F8	F23	SOAP	F8
F24	DELAY	F10	F24	DELAY	F10	F24	DELAY	F11
F25	HAND DRIER	F6	F25	WATER	F4	F25	WATER	F4
F26	END DELAY	F11	F26	DELAY	F10	F26	DELAY	F10
			F27	HAND DRIER	F6	F27	HAND DRIER	F6
			F28	END DELAY	F11	F28	END DELAY	F11



**Wallgate Ltd.**

Crow Lane, Wilton,  
Salisbury, Wiltshire,  
SP2 0HB, England

tel: +44 (0) 1722 744594

fax: +44 (0) 1722 742096

email: [service@wallgate.com](mailto:service@wallgate.com)

web: [www.wallgate.com](http://www.wallgate.com)

[wallgate.com](http://wallgate.com)

**Wallgate**<sup>®</sup>  
ROBUST. INNOVATIVE. WASHROOMS